

Shown: PA-135, -136



PA series

Compact, lightweight, air driven power source. Treadle start on pump activates pump operation. Best choice for single-acting cylinders.

Portable air hydraulic power

- Patented air saver design - minimal air usage for lower cost operation
- Quiet internal air muffler 80 dBA
- 360° swivel oil and air fittings for easier system setup
- External adjustable relief valve
- Built-in 3-way, 2-position valve provides advance-retract cycle operation for single-acting cylinders

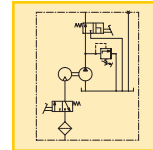
Max. flow: 60-120 in³/min

Pressure: 3000-5000 psi

Air: 12 scfm

Reservoir: 36.6 in³

- Ⓔ Bombas hidroneumáticas
- Ⓕ Pompes hydro-pneumatiques
- Ⓖ Lufthydraulische pumpen



Options

Regulator-filter-lubricator

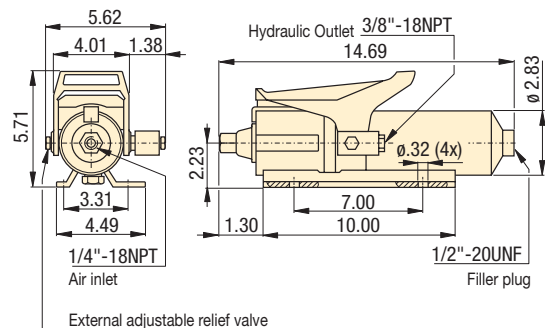
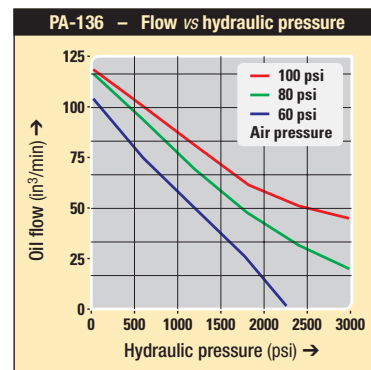
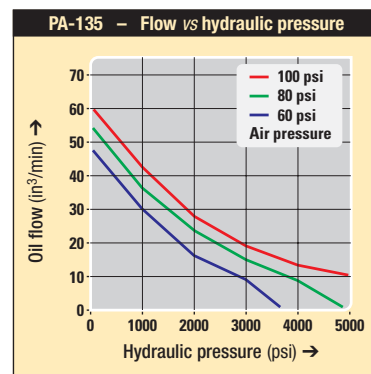


142 ▶

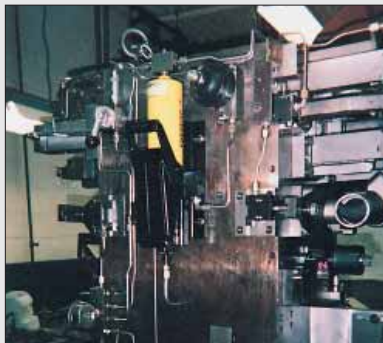
Fittings



158 ▶



These PA series air hydraulic pumps operate in all positions. Here, a PA-135 is mounted vertically to a clamping fixture.



Product selection

Usable oil capacity	Max. oil flow ¹⁾	Max. hydraulic pressure	Model number	Valve function	Air pressure range	Air consumption	
in ³	in ³ /min	psi			psi	scfm	lbs
36.6	60	5000	PA-135	Advance/Retract	60-100	12	14.3
36.6	120	3000	PA-136	Advance/Retract	60-100	12	14.3

¹⁾ At 0 psi hydraulic pressure.

Note: Seal material: Buna-N, Teflon, Polyurethane.