

P-Series, Lightweight Hand Pumps

▼ Pumps shown, from top to bottom: P-802, P-842, P-202, P-142



- Lightweight and compact design
- Durable glass-filled nylon reservoir and nylon encapsulated aluminium pump base for maximum corrosion resistance
- Two-speed operation reduces handle strokes by as much as 78% over single speed pumps
- Lower handle effort to minimize operator fatigue
- Integral 4-way valve on P-842 for operation of double-acting cylinders
- Handle lock and lightweight construction for easy carrying
- Large oil capacities to power a wide range of cylinders or tools
- Non-conductive fiberglass handle for operator safety
- Internal pressure relief valve for overload protection.

▼ Cylinder-pump set SCR-254H used to support the construction while monitoring pressure and load with the gauge.



Exclusively from Enerpac



Cylinder Matching Chart

For help in selecting the correct hand pump for your application, please refer to the Cylinder Matching Chart located in the 'Yellow Pages'.

Page: 114



Speed Chart

To determine how a specific pump will operate your cylinder, see the Pump-Cylinder Speed Chart in the 'Yellow Pages'.

Page: 121



Tank Kits:

When a return-to-tank port is required, the Tank Kits provide a 7/16"-20 port at the rear of the reservoir.

PC-20	Fits P-141, P-142
PC-25	Fits P-202, P-391, P-392



High Temperature and Corrosion Resistant Hand Pumps

The P-142 and P-392 hand pumps are available with Viton seals, stainless steel pistons and anodized aluminium reservoir for use in extreme environments.

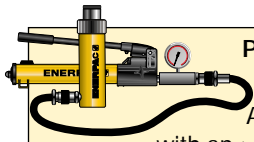
Page: 62

Pump Type	Usable Oil Capacity (cm ³)	Model Number	Pressure Rating** (bar)		Oil Displacement per Stroke (cm ³)		Max. Handle Effort (kg)
			1 st stage	2 nd stage	1 st stage	2 nd stage	
			Single-Speed	327	P-141	-	
	901	P-391	-	700	-	2,47	38,6
Two-Speed	327	P-142*	13	700	3,62	0,90	35,4
	901	P-202	13	700	3,62	0,90	28,6
	901	P-392*	13	700	11,26	2,47	42,2
	2540	P-802	27	700	39,33	2,47	43,1
	2540	P-842	27	700	39,33	2,47	43,1

* Available as set, see note on next page.

** Contact Enerpac for applications where operating pressure is less than 10% of pressure rating.

Lightweight Hand Pumps



Pump and Cylinder sets

All pumps marked with an * are available as sets (pump, cylinder, gauge, couplers and hose) for your ordering convenience.

Page: 64

P Series



Reservoir Capacity:

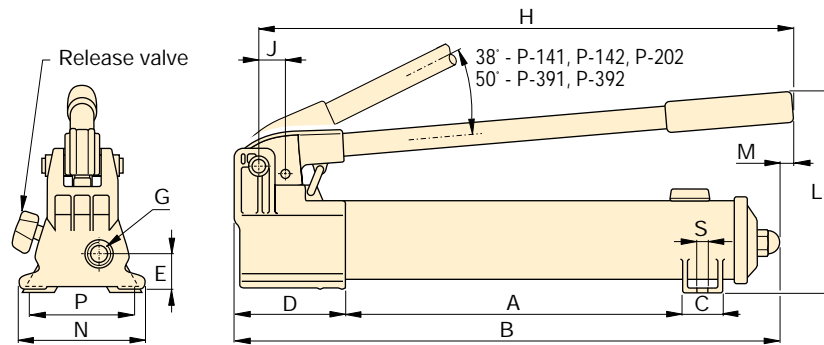
327 - 2540 cm³

Flow at Rated Pressure:

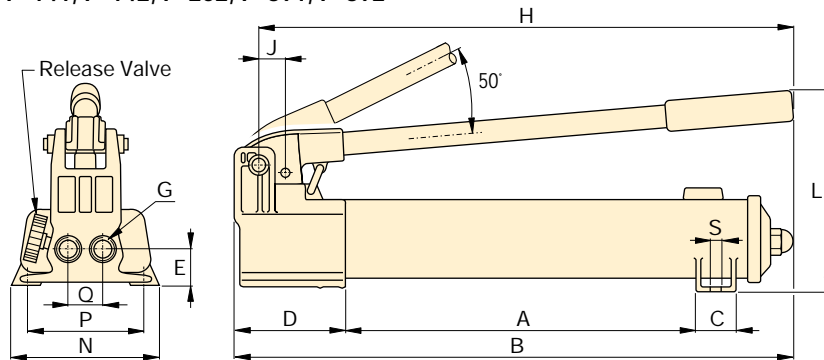
0,90 - 2,47 cm³/stroke

Operating Pressure:

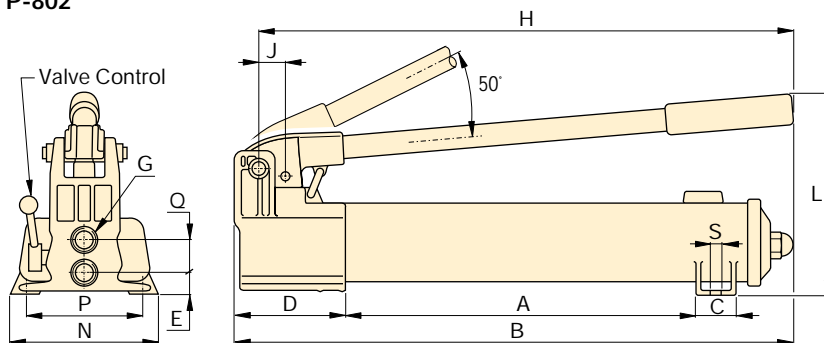
700 bar



P-141, P-142, P-202, P-391, P-392



P-802



P-842



Hoses

Enerpac offers a complete line of high quality hydraulic hoses. To ensure the integrity of your system,

specify only genuine Enerpac hydraulic hoses.

Page: 124



Gauges

Minimize the risk of overloading and ensure long, dependable service from your equipment. Refer to the

System Components section for a full range of gauges.

Page: 123



Foot Pump P-392FP

For handsfree operation the lightweight and robust P-392FP Foot Pump is the perfect choice.

Page: 75

Piston Stroke (mm)	Dimensions (mm)															Model Number
	A	B	C	D	E	G	H	J	L	M	N	P	Q	S	(kg)	
12,7	185	336	28	85	28	1/4" -18 NPTF	319	19	143	-	95	80	-	7	2,4	P-141
25,4	344	533	36	99	33	3/8" -18 NPTF	522	30	177	16	120	-	-	-	4,1	P-391
12,7	185	336	28	85	28	1/4" -18 NPTF	319	19	143	-	95	80	-	7	2,4	P-142*
12,7	344	509	36	85	28	1/4" -18 NPTF	400	19	144	16	95	-	-	-	3,4	P-202
25,4	344	533	36	99	33	3/8" -18 NPTF	522	30	177	16	120	-	-	-	4,1	P-392*
25,4	337	552	45	133	35	3/8" -18 NPTF	527	55	228	-	181	120	35	10	8,2	P-802
25,4	337	552	45	133	20	3/8" -18 NPTF	527	55	228	-	181	120	36	10	10,0	P-842

P-Series, Steel Hand Pumps

▼ Shown from top to bottom: P-462, P-84, P-801, P-77, P-80, P-39



- Two-speed operation for reduced operator fatigue (except P-39)
- 4-way valving on the P-84 and P-464 for operation of double-acting cylinders
- External load release valve on remaining models for single-acting cylinder operation
- Internal pressure relief valve for overload protection
- Large oil capacity to power a wide range of cylinders or tools.

▼ In the absence of a power supply, the P-80 Hand Pump offers a powerful solution.



The Solution for Tough Jobs



Two Speed

Recommended for applications where cylinder plunger must advance rapidly to load contact, and applications where greater oil capacities are required, such as multiple cylinder hook-ups.



Foot Pump Conversion Kits

Convert your P-39 to foot power with the **PC-10 Kit**. Includes instructions for easy conversion.



Gauges

Minimize the risk of overloading and ensure long, dependable service from your equipment. Refer to the System Components section for a full range of gauges.

Page: 123



4-Way Control Valve

P-84 and P-464 feature a manual 4-way control valve, designed for use with one double-acting or two single-acting cylinders. For system Set-up information:

Page: 116

Pump Type	Usable Oil Capacity (cm ³)	Model Number	Pressure Rating** (bar)		Oil Displacement per Stroke (cm ³)		Max. Handle Effort (kg)
			1 st stage	2 nd stage	1 st stage	2 nd stage	
Single	655	P-39	-	700	-	2,62	50
Two-Speed	770	P-77	14	700	16,00	2,41	43
	2200	P-80*	25	700	16,22	2,46	47
	4080	P-801	25	700	16,22	2,46	47
	2200	P-84	25	700	16,22	2,46	47
	7423	P-462	14	700	126,20	4,75	49
	7423	P-464	14	700	126,20	4,75	49

* Available as a set, see note on next page.

** Contact Enerpac for applications where operating pressure is less than 10% of pressure rating.

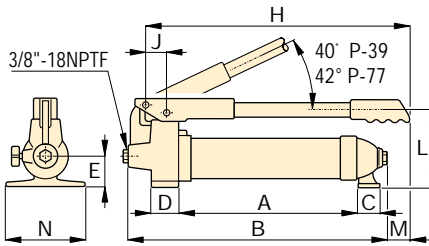
Steel Hand Pumps



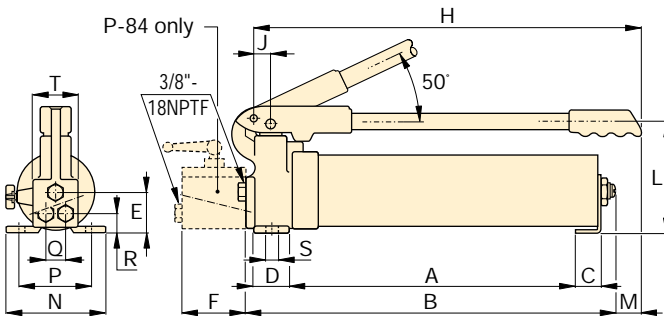
High Temperature and Corrosion Resistant Hand Pumps

Some hand pumps are available with Viton seals, stainless steel pistons and anodized aluminium reservoir for use in extreme environments.

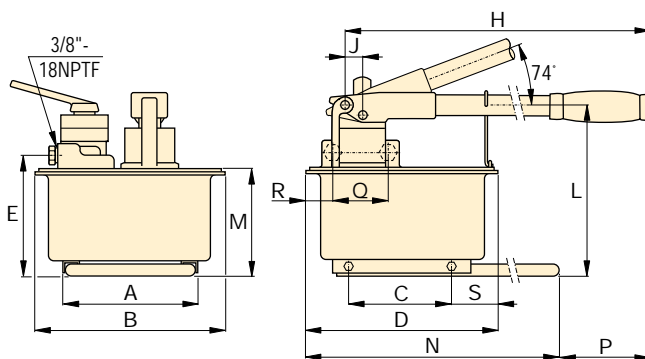
Page: 62



P-39, P-77



P-80, P-801, P-84



P-462, P-464

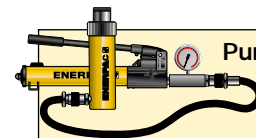
P Series



Reservoir Capacity:
655-7423 cm³

Flow at Rated Pressure:
2,46-4,75 cm³/stroke

Maximum Operating Pressure:
700 bar



Pump and Cylinder sets

The P-80 is also available as set (pump, cylinder, gauge, couplers and hose) for your ordering convenience.

Page: 64



Speed Chart

To determine how a specific pump will operate your cylinder, see the Pump-Cylinder Speed Chart in the 'Yellow Pages'.

Page: 121



Cylinder Matching Chart

For help in selecting the correct hand pump for your application, please refer to the Cylinder Matching Chart located in the 'Yellow Pages'.

Page: 114

Piston Stroke	Dimensions (mm)																Model Number		
	(mm)	A	B	C	D	E	F	H	J	L	M	N	P	Q	R	S		T	(kg)
20,6	393	520	33	38	32	-	464	30	119	65	133	-	-	-	-	-	-	5,9	P-39
25,4	418	525	33	40	52	-	560	34	115	50	120	-	-	-	-	-	-	6,8	P-77
25,4	425	539	25	44	54	-	527	29	174	19	146	121	-	21	8	67	10,9	P-80*	
25,4	659	782	25	44	54	-	772	29	174	-	146	121	-	21	8	67	14,1	P-801	
25,4	425	539	25	44	-	64	527	29	174	19	146	121	38	43	8	67	13,2	P-84	
38,1	210	308	163	320	195	-	671	25	270	175	650	92	-	-	80	-	27,7	P-462	
38,1	210	308	163	320	195	-	671	25	270	175	650	92	89	68	80	-	27,7	P-464	

P-Series, Low Pressure Hand Pumps

▼ Shown from left to right: P-51, P-25, P-18



When Less Than 700 Bar is All You Need



Gauges

Minimize the risk of overloading and ensure long, dependable service from your equipment. Refer to the System Components section for a full range of gauges.

Page: 123

- Bi-directional pumping on the P-25 and P-50 allows operation on both handle strokes
- External load-release valve
- Internal pressure-relief valve for overload protection
- P-51 can be operated in horizontal and vertical position with pump head and oil outlet facing downwards
- P-50 and P-51 pump oil in both forward and reverse handle movement improving overall efficiency, ideal when mounting space is restricted.



Foot Pump Conversion Kits

Convert your P-18 to foot power with the PC-10 Kit. Includes instructions for easy conversion.



Foot Pump P-392FP

For handsfree operation the lightweight and robust P-392FP Foot Pump is the perfect choice.

Page: 75

▼ P-18 hand pump used for locking the rotating table for marble polishing.



Pump Type	Usable Oil Capacity (cm ³)	Model Number	Pressure Rating (bar)	Oil Displacement per Stroke (cm ³)	Max. Handle Effort (kg)
Single-Speed	295	P-18	200	2,62	26
	3277	P-25	175	9,50	27
	3277	P-50	350	4,75	27
	819	P-51	200	4,10	27

Low Pressure Hand Pumps

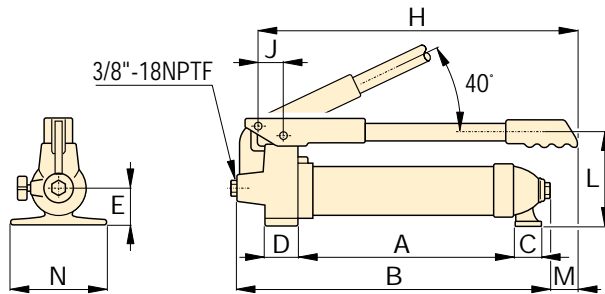
P Series



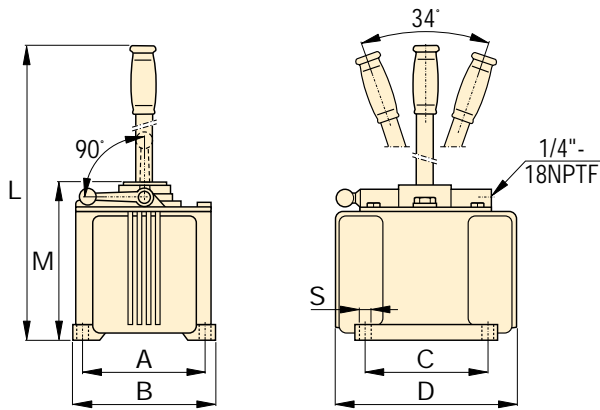
Reservoir Capacity:
295-3277 cm³

Flow at Rated Pressure:
2,62-9,50 cm³/stroke

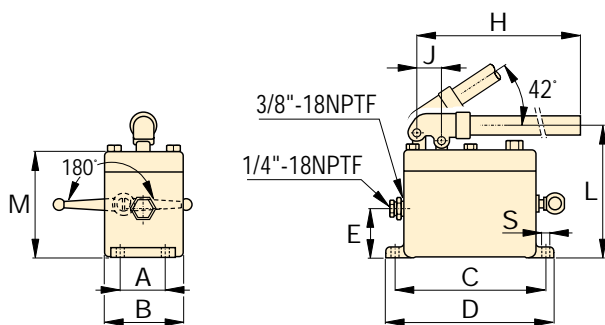
Maximum Operating Pressure:
175-350 bar



P-18



P-25, P-50



P-51

P-25 hand pumps used with RC-serie cylinders to keep wooden layers under pressure during lamination of plates. ▶



Hoses

Enerpac offers a complete line of high quality hydraulic hoses. To ensure the integrity of your system, specify only genuine Enerpac hydraulic hoses.

Page: 124



Multifluid Hand Pumps

Corrosion resistant hand pumps for low pressure filling and high pressure testing applications, suitable for a wide range of fluids.

Page: 74



Piston Stroke	Dimensions (mm)												Model Number
	(mm)	A	B	C	D	E	H	J	L	M	N	S	
20,6	210	327	33	38	48	216	30	111	13	133	-	5,0	P-18
38,1	152	173	152	240	-	-	-	684	200	-	10	16,3	P-25
38,1	152	173	152	240	-	-	-	684	200	-	10	16,8	P-50
25,4	52	92	181	200	57	610	29	160	129	-	9	5,4	P-51

MP-Series, Multifluid Hand Pumps

▼ Shown: MP-110



- Unbeatable corrosion resistance
- Standard supplied with Nitrile seals – can be used for a wide range of fluids such as demineralised water, oil/water emulsions, waterglycols, mineral oils
- Two speed pumps up to 1000 bar pressure
- Buna Nitrile seals can be exchanged with optional EPDM seal for use with Skydrol or brake fluids
- Impregnated aluminium anodized pump housing with stainless steel internal pumping components
- Externally adjustable pressure relief valve
- 1/4" NPTF gauge port.

▼ MP-Series pumps are ideal for testing and filling applications.



MP-Series Multifluid Pumps Typical Applications

- Filling and testing of aircraft systems such as shock absorbers
- Testing of aircraft systems using Skydrol fluid
- Testing of pressure vessels
- Operation of single-acting hydraulic tools and cylinders.



Gauges

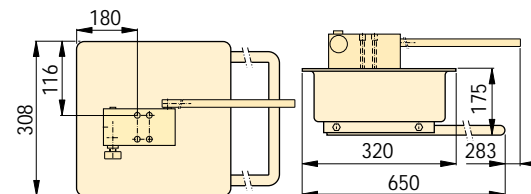
Minimize the risk of overloading and ensure long, dependable service from your equipment.

Page: 123

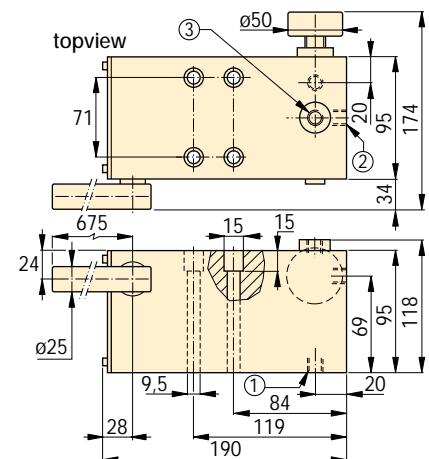


Optional Reservoir Kit

The 10 litres reservoir kit **MP-10T** includes tank with skid frame, top plate with reservoir seal, suction pipe and mounting bolts. Useable oil capacity is 7,4 litres.



MP-10T



MP-110, 350, 700, 1000

- ① Suction / Tank return port 3/8"-18 NPTF
- ② Pressure port 3/8"-18 NPTF
- ③ Gauge port 1/4"-18 NPTF

Pump Type	Usable Oil Capacity (cm ³)	Model Number	Pressure Rating (bar)		Oil Displacement per Stroke (cm ³)		Max. Handle Effort (kg)	Piston Stroke (mm)	Piston Stroke (kg)
			1st stage	2nd stage	1st stage	2nd stage			
Two Speed	*	MP-110	35	110	52,60	21,80	45	26,5	6,6
	*	MP-350	35	350	52,60	7,80	45	26,5	6,6
	*	MP-700	35	700	52,60	3,10	45	26,5	6,6
	*	MP-1000	35	1000	52,60	2,20	45	26,5	6,6

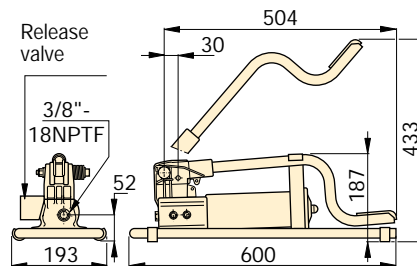
Note: MP-Pump includes 1,5 mm thick gasket for reservoir mounting.
MP-Series pumps requires the use of an external reservoir.

Lightweight Hydraulic Foot Pump

▼ Shown: P-392FP



- Robust, durable and compact
 - Steel frame for maximum stability
 - Steel pumping handle
 - Aluminium reservoir
- Foot pedal lock and lightweight construction for easy carrying
- Two-speed operation reduces foot pedal strokes as much as 78% over one-speed pumps
- Controllable load return circuit for improved control under load and faster no-load retraction of spring or gravity return single-acting cylinders
- Large release valve foot pad for easy control for slowly metering loads down
- Internal pressure relief valve for overload protection.



Usable Oil Capacity (cm ³)	Model Number	Pressure Rating (bar)		Oil Displacement per Stroke (cm ³)		Max. Handle Effort (kg)	Piston Stroke (mm)	Piston Stroke (kg)
		1st stage	2nd stage	1st stage	2nd stage			
492	P-392FP *	15	700	11,26	2,47	42	25,4	7,0

* Available as set, see note on this page.

P Series



Reservoir Capacity:

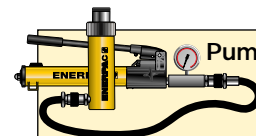
492 cm³

Flow at Rated Pressure:

2,47 cm³/stroke

Maximum Operating Pressure:

700 bar



Pump and Cylinder sets

The P-392FP is available as sets (pump, cylinder, gauge, couplers and hose) for your ordering convenience.

Page: 64



Hoses

Enerpac offers a complete line of high quality hydraulic hoses. To ensure the integrity of your system, specify only genuine Enerpac hydraulic hoses.

Page: 124

▼ The great advantage of the P-392FP – easily operated by foot, making your hands free to handle the tool or cylinder.



P, 11-Series, Ultra-High Pressure Hand Pumps

▼ Shown from left to right: 11-100, P-2282



- Two-speed operation on the P-2282 allows for faster fill operation, reducing cycle times for many testing applications
- 303 Stainless steel construction on the 11-100 and 11-400 models enable use with many different fluids, such as distilled water, diesters, silicones, soluble oils and petroleum
- Large release knob for improved control of pressure release
- Outlet ports are 3/4"-16 cone for 2800 bar rating.

Ultra-High Pressure up to 2800 bar



2-Way Shut-Off Valve 72-750

For 2800 bar applications requiring a shut-off valve or gauge snubber. Made of 318 Stainless Steel and

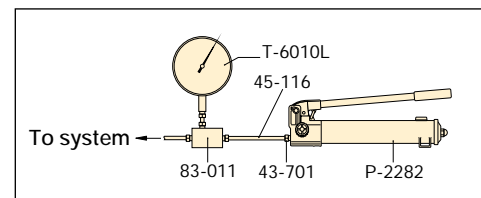
utilizing .38 inch cone fittings, it is the perfect selection for use with your Ultra-High Pressure hand pump.



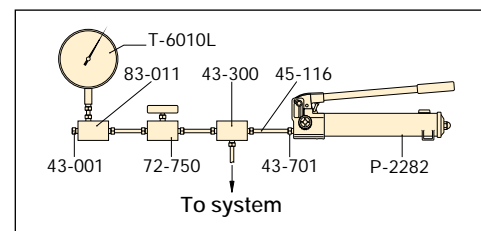
Test System Gauges

Ideal for monitoring pressure in your hydraulic circuit, Test System Gauges, such as the T6010L, are available with cone threads or NPT threads and a variety of pressure ranges.

Page: 134



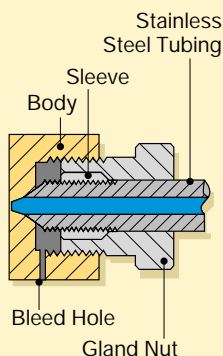
▲ Typical Test System



▲ Test System with Gauge Snubber

Cone Seal

Stainless Steel High Pressure fittings seal on a 'cone' surface and do not require pipe sealer. The Gland Nut holds the sleeve and tubing tight against the cone surface to provide a 2800 bar seal.



Pump Type	Usable Oil Capacity (cm ³)	Model Number	Pressure Rating* (bar)		Oil Displacement per Stroke (cm ³)		Max. Handle Effort (kg)
			1 st stage	2 nd stage	1 st stage	2 nd stage	
Two-Speed	983	P-2282	13	2800	16,22	0,61	48,1
Single-Speed	737	11-100	-	700	-	2,49	54,4
	737	11-400	-	2800	-	0,62	54,4

* Contact Enerpac for applications where operating pressure is less than 10% of pressure rating.

Ultra-High Pressure Hand Pumps

▼ Optional Ultra-High Pressure Fittings and Tubings

Description	Connection	Model Nr.
2800 bar		
Gland Nut Plug	.38" cone	43-001
Elbow	.38" cone	43-200
Tee	.38" cone	43-300
Gauge Tee	.38" cone side/ .25" cone gauge port	43-301
Gauge Adaptor	.38" cone side/ .25" cone gauge port	83-011
Coupling	.38" cone	43-400
Cross	.38" cone	43-600
Gland Nut with Sleeve	.38" cone	43-701
Tubing	100 mm tube, O.D. .38" * 200 mm tube, O.D. .38" * 300 mm tube, O.D. .38" *	45-116 45-126 45-136
700 bar only		
Adaptor	.38F cone to 1/4" M NPTF	41-146
	.38F cone to 3/8" M NPTF	41-166
Adaptor	.38F cone to 1/4" F NPTF	41-246
	.38F cone to 3/8" F NPTF	41-266

Note: .25" cone fittings use 9/16"-18 threads, 3/8" cone fittings use 3/4"-16 threads.

* Actual tubing lengths are 19 mm less than nominal size shown. These dimensions make distance between centers of valves and fittings multiples of 100 mm spaces.

**P
11
Series**



Reservoir Capacity:

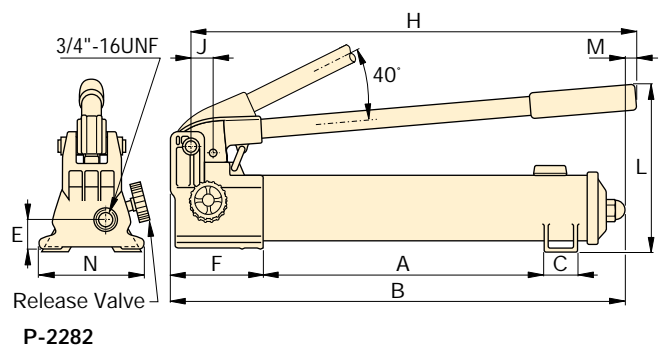
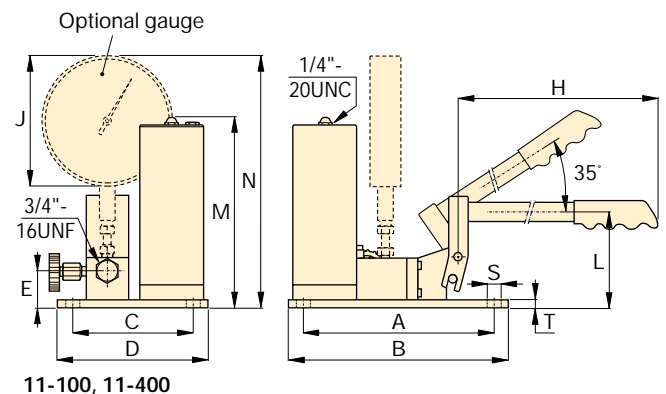
737-983 cm³

Flow at Rated Pressure:

0,61-2,49 cm³/stroke

Operating Pressure:

700-2800 bar



Piston Stroke (mm)	Dimensions (mm)													Model Number	
	A	B	C	D	E	F	H	J	L	M	N	S	T		
25,4	344	558	35	-	31	133	527	29	228	7	120	-	-	6,4	P-2282
19,8	240	266	151	177	45	-	635	162	114	237	314	7	9	10,0	11-100
19,8	240	266	151	177	45	-	635	162	114	237	314	7	9	10,0	11-400