

# Features SBL500

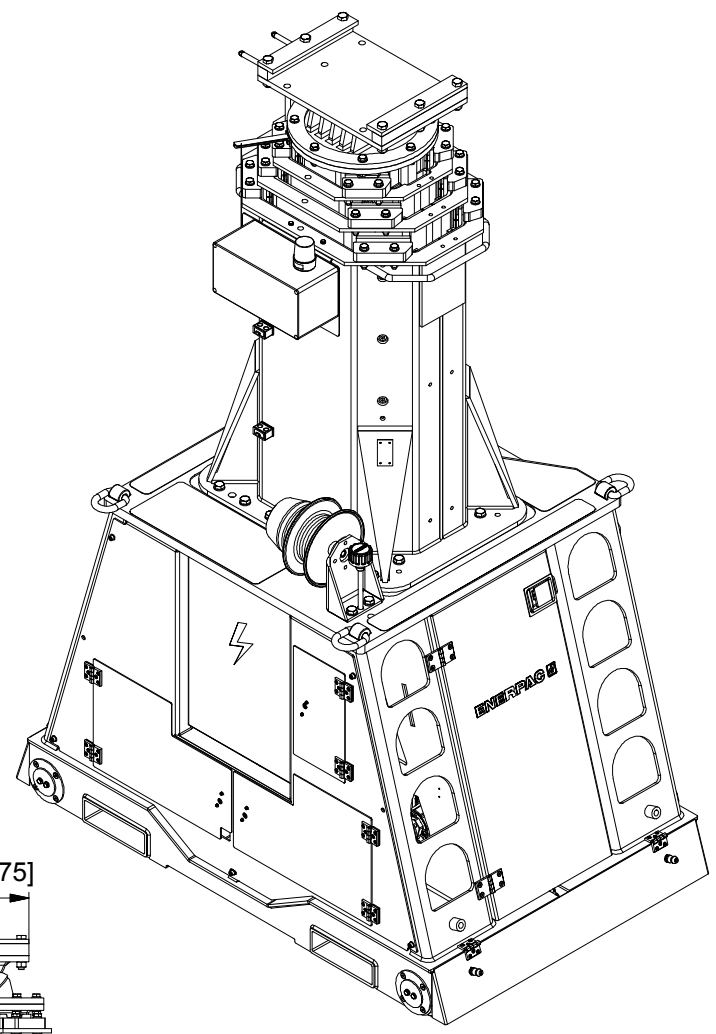
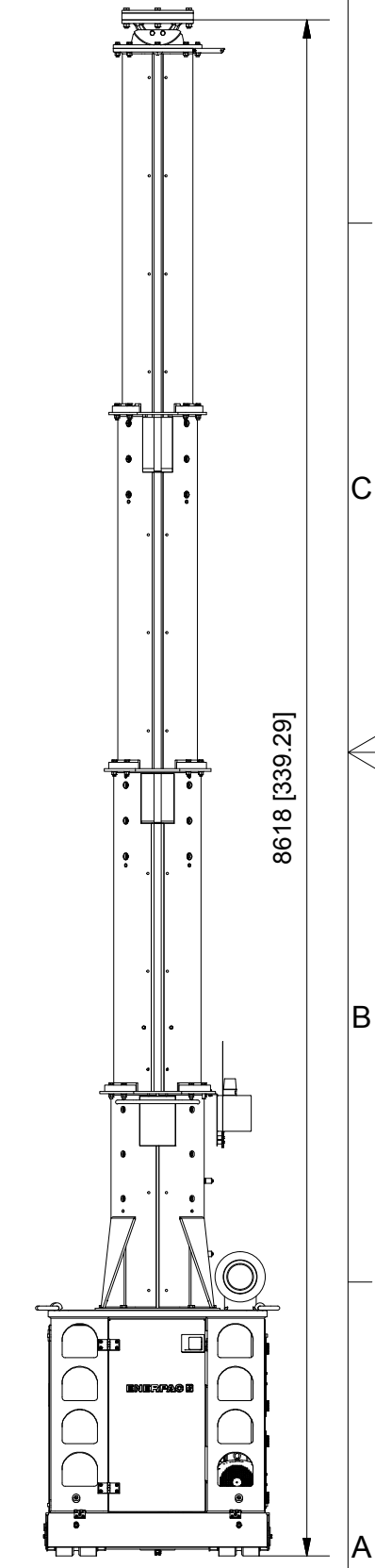
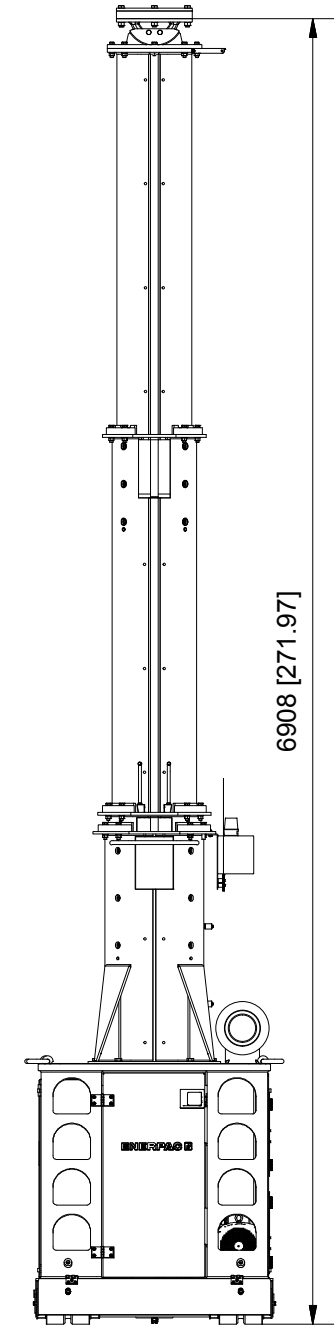
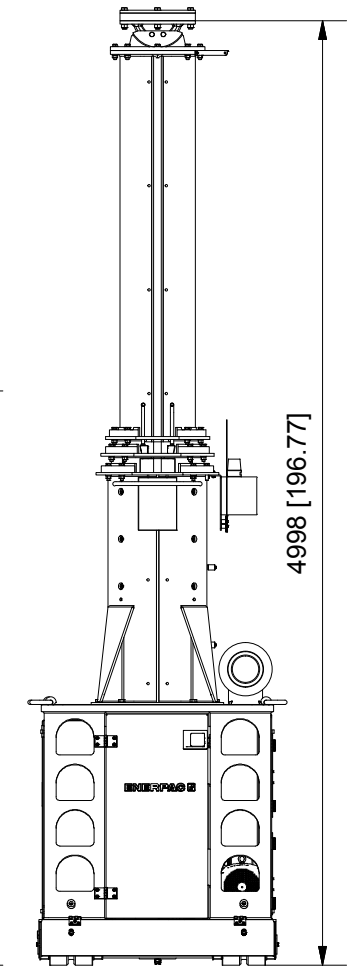
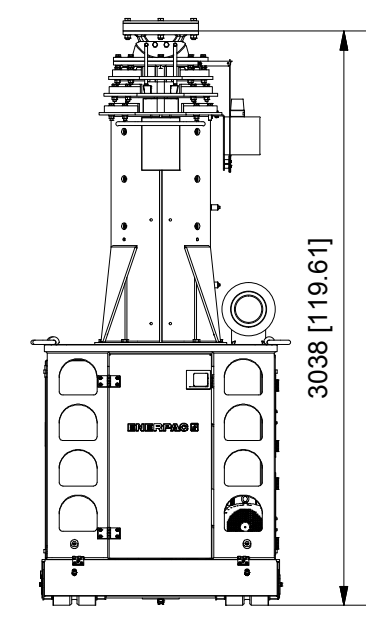
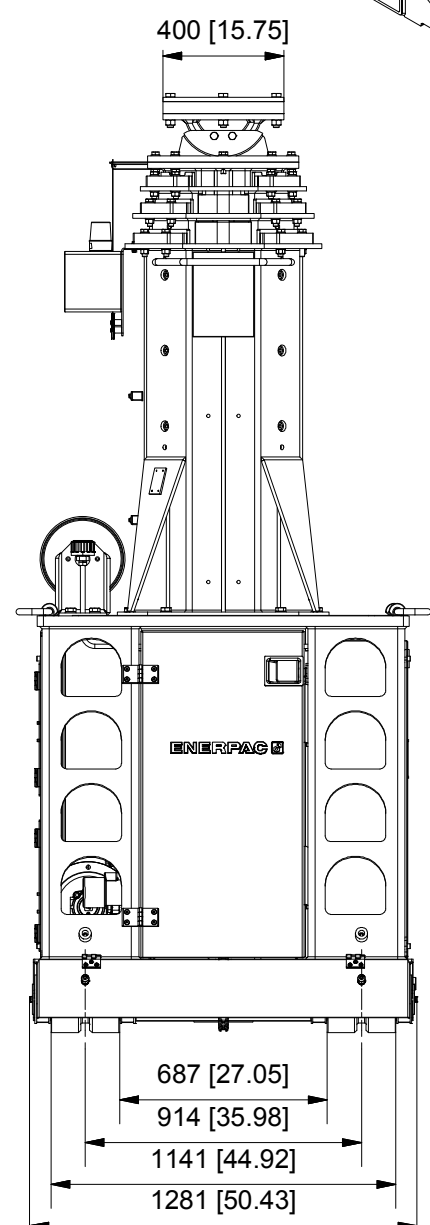
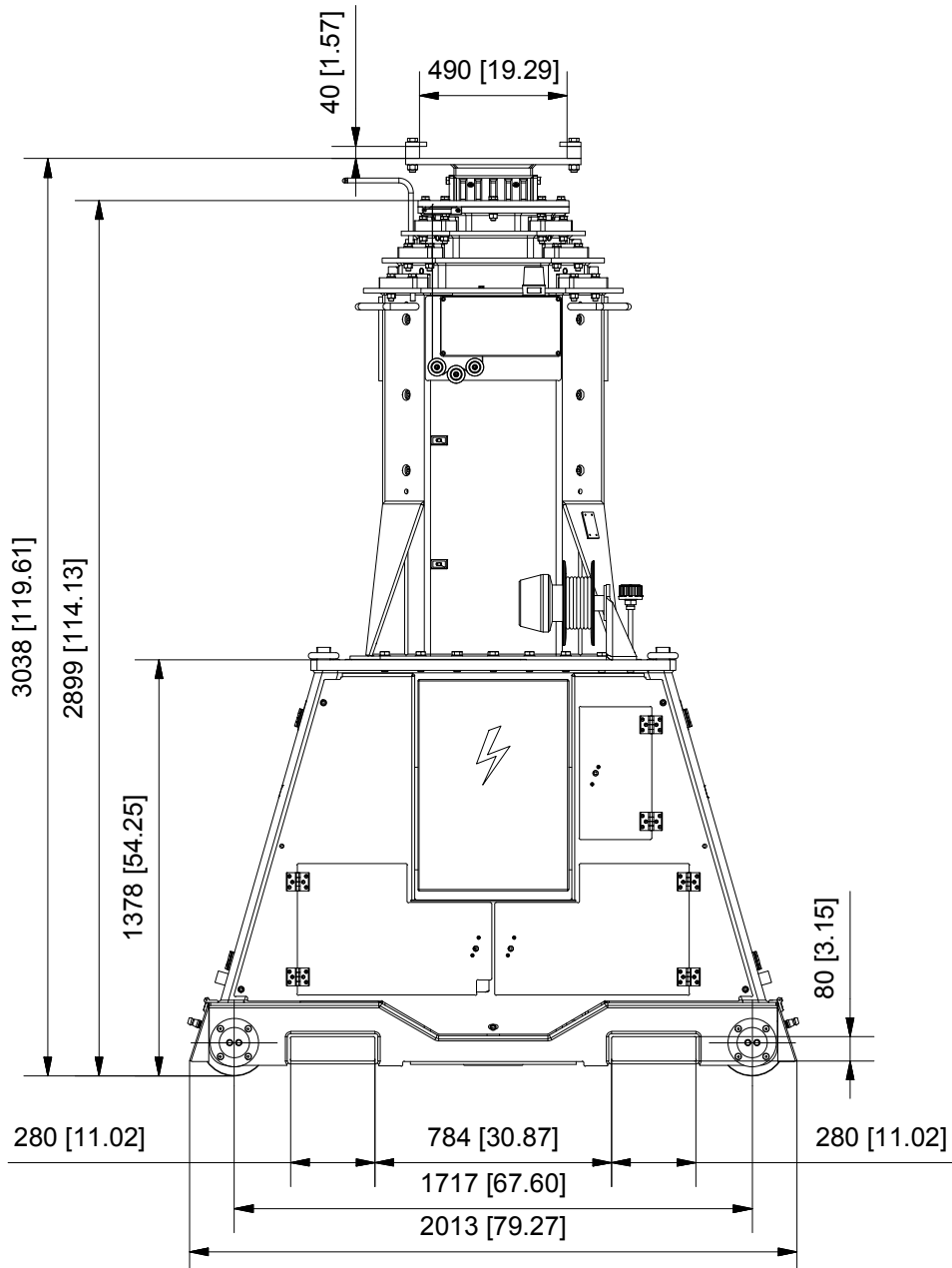
Safe Work Load Stage 1:	1300 kN	(292 kips)
Safe Work Load Stage 2:	1300 kN	(292 kips)
Safe Work Load Stage 3:	750 kN	(168 kips)
Self Weight (incl. oil):	6880 kg	(15168 lbs)

D

C

B

A



D

C

B

A

OPAAALSTRAAT 44, 7554 TS HENGLO HOLLAND  
 PO BOX 421, 7550 AK HENGLO HOLLAND  
 TELEPHONE 074-2422045 FACSIMILE 074-2430338  
**ENERPAC**  
 COPYRIGHTS RESERVED

3rd ANGLE PROJECTION  
 Model Number: **SBL500**  
 Drawing Number: **03451.50.00.00**

Main Assembly Number: **03451.01.00.00**  
 REV.: **A** DATE: **31-10-2013** SCALE: **1 : 25** FORM: **A3**

6

5

4

3

2

1