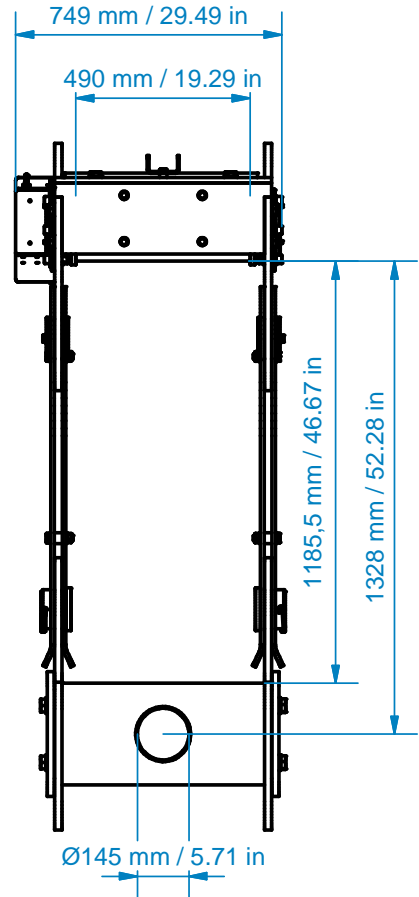
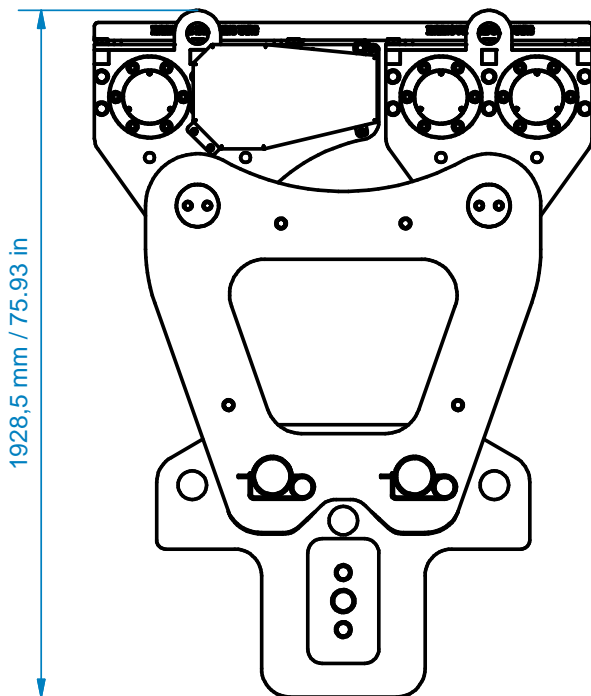
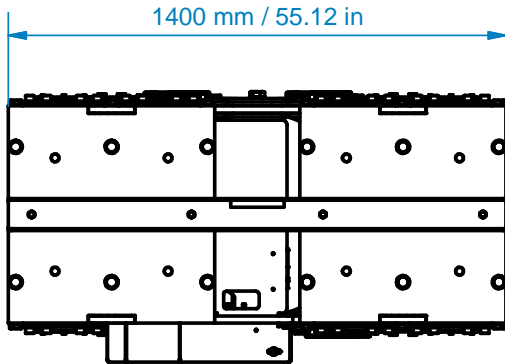
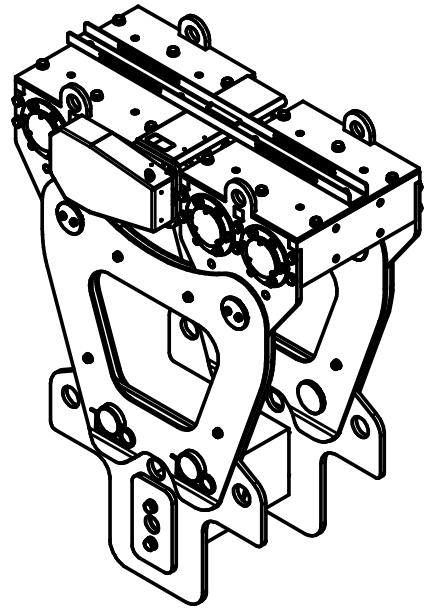


Features BSSBL600

Self weight propelled unit:	1500 kg
Capacity:	1500 kN (per anchor)
Powered:	0,75 kW 400VAC
Frequency:	50/60 Hz
Speed:	0.9 m/min
Model number BSSL600 includes:	4x propelled unit 4x cable guide



OPAALSTRAAT 44, 7554 TS HENGELO HOLLAND
PO BOX 421, 7550 AK HENGELO HOLLAND
TELEPHONE 074-2422045 FACSIMILE 074-2430338

ENERPAC 
COPYRIGHTS RESERVED

3rd ANGLE
PROJECTION

Model Number:
BSSBL600

Drawing Number: 03530.50.00.00

Main Assembly Number:
03530.01.00.00

REV.: 0	DATE: 10/10/2016	SCALE: 1:20	FORM: A4
---------	------------------	-------------	----------