

Features SL400

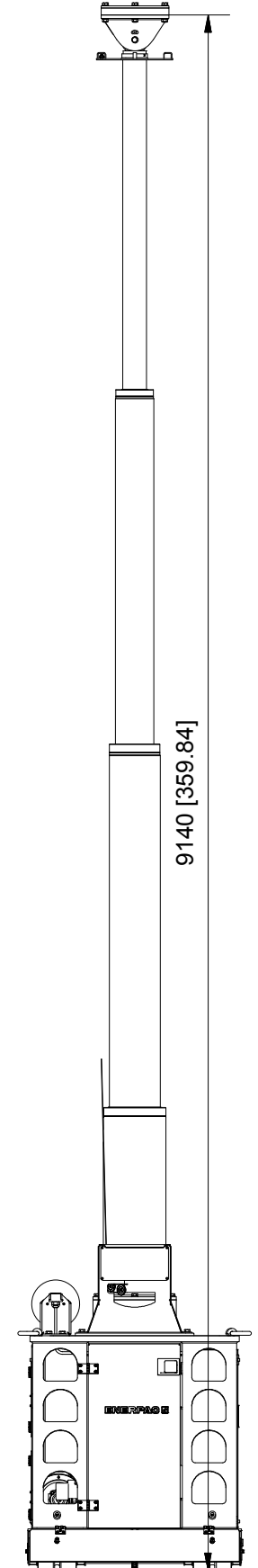
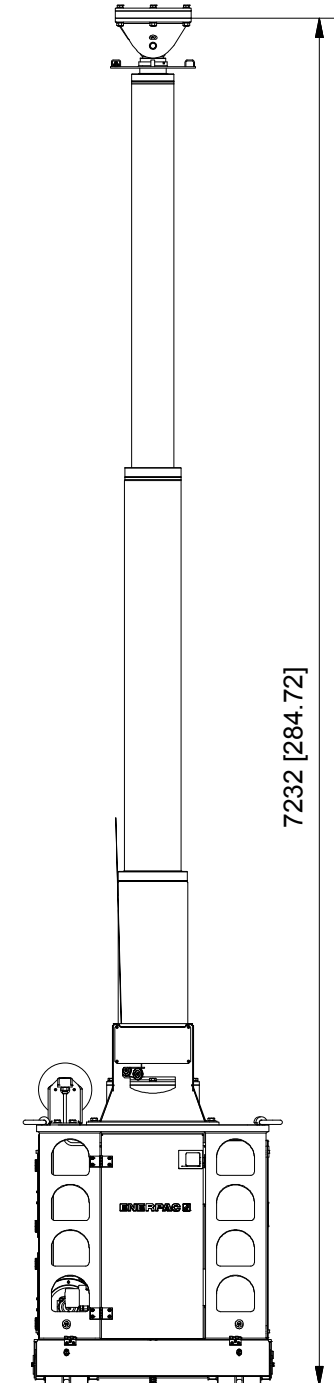
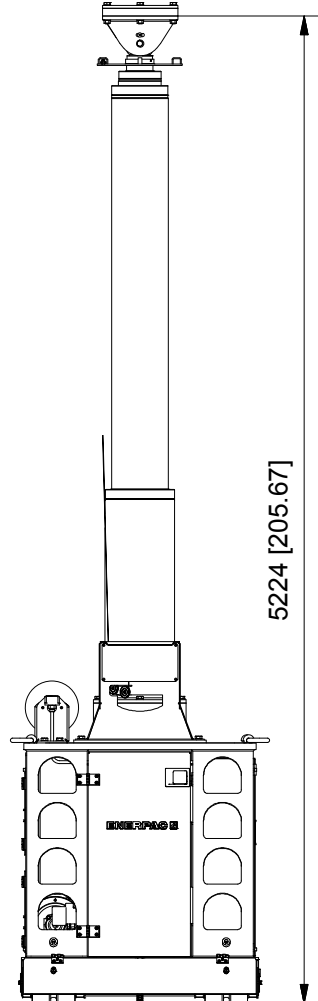
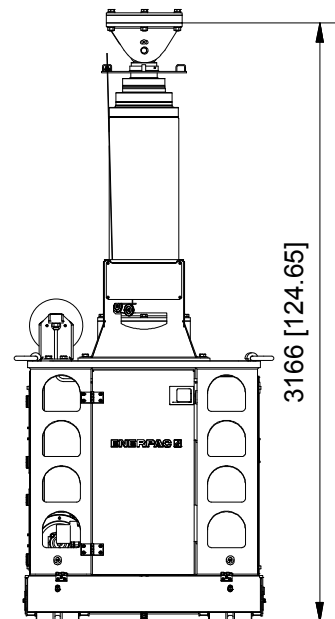
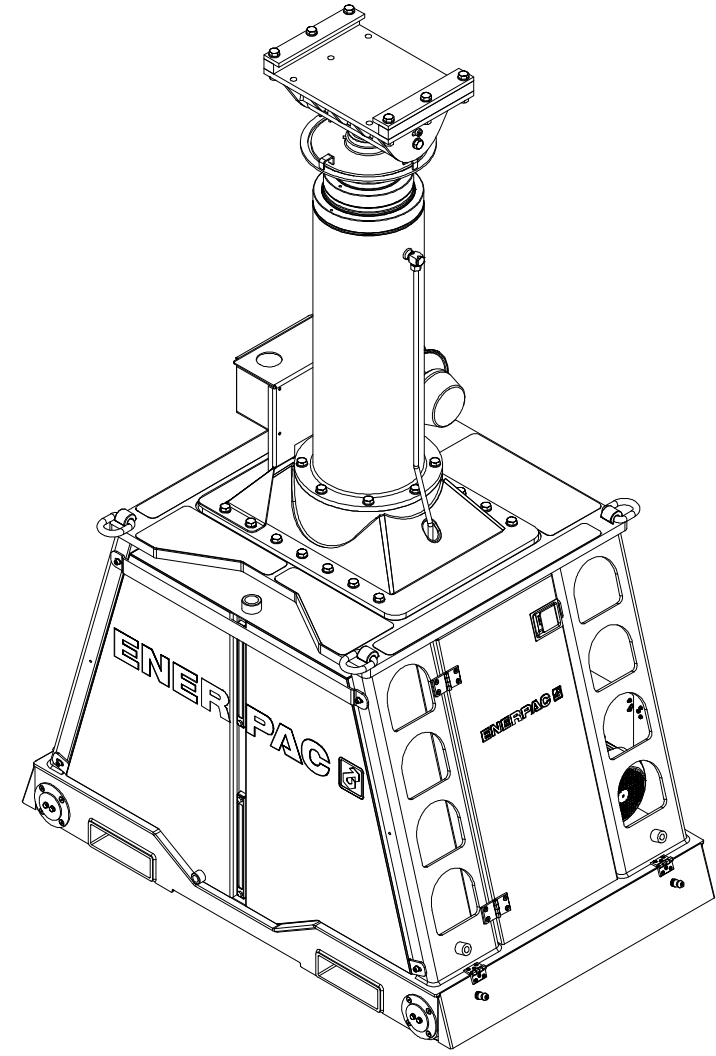
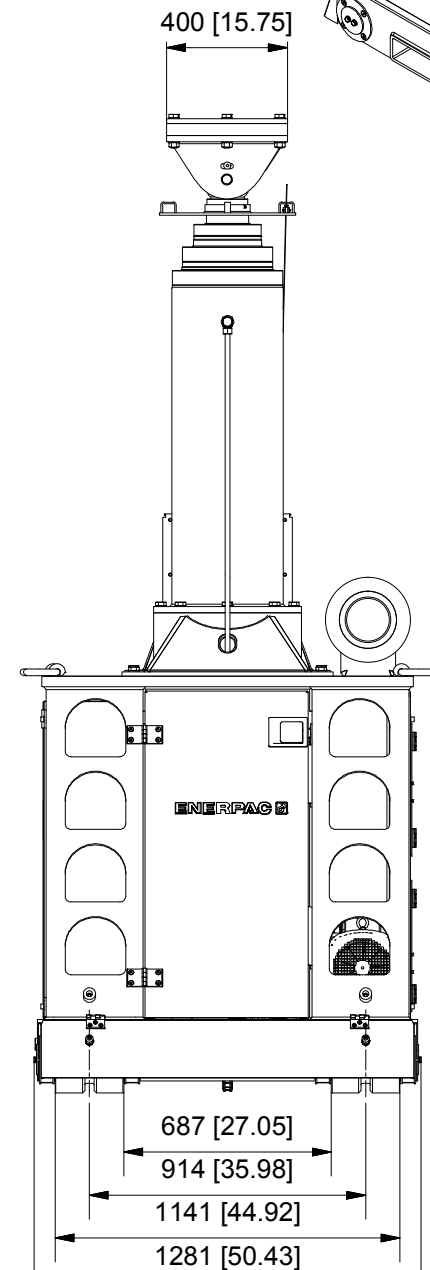
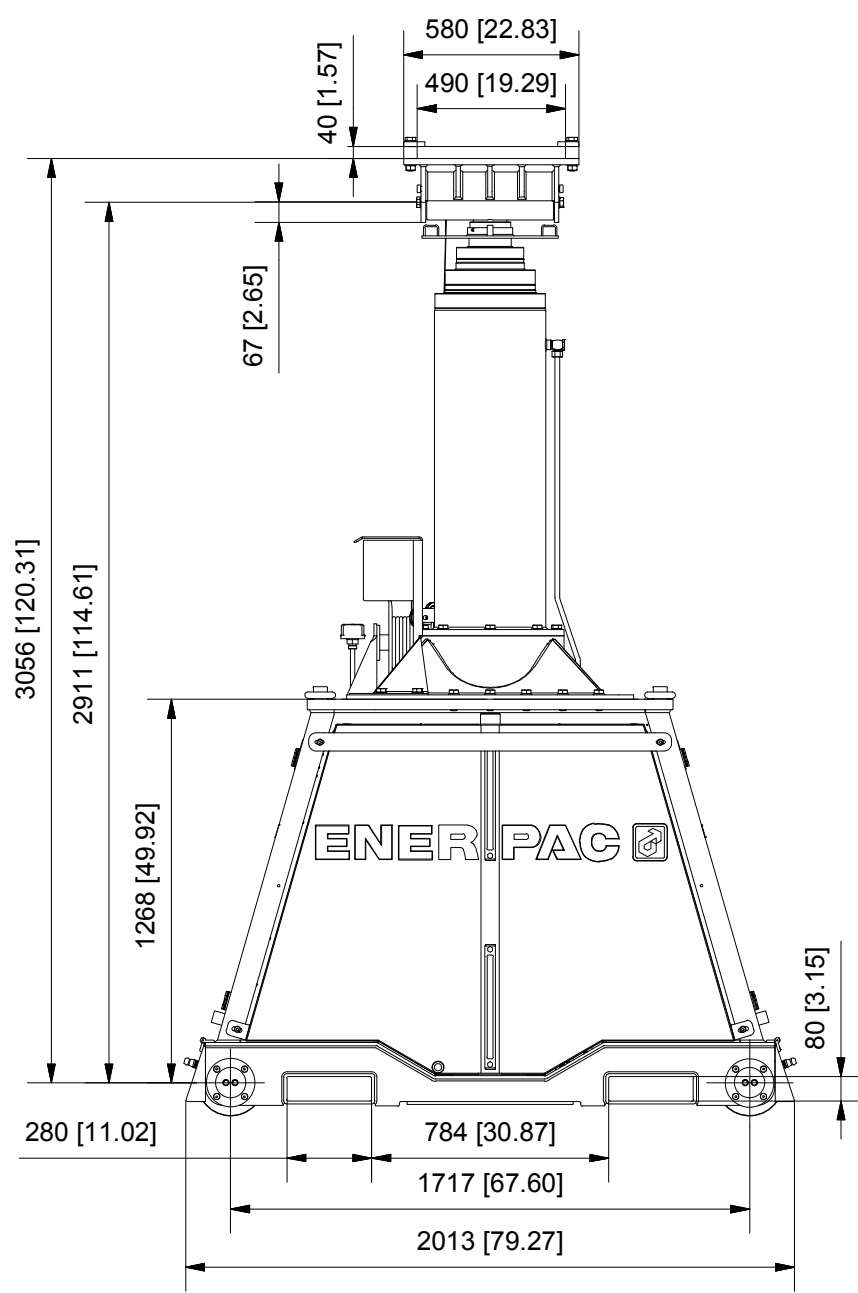
Safe Work Load Stage 1:	1000 kN	(225 kips)
Safe Work Load Stage 2:	1000 kN	(225 kips)
Safe Work Load Stage 3:	460 kN	(103 kips)
Self Weight (incl. oil):	4600 kg	(10141 lbs)

D

C

B

A



D

C

B

A

OPAAALSTRAAT 44, 7554 TS HENGELO HOLLAND
 PO BOX 421, 7550 AK HENGELO HOLLAND
 TELEPHONE 074-2422045 FACSIMILE 074-2430338
ENERPAC 
 COPYRIGHTS RESERVED

3rd ANGLE
 PROJECTION

Model Number:
SL400
 Drawing Number:
03442.50.00.00

Main Assembly Number:
03442.01.00.00
 REV.: 0 DATE: 31-10-2013 SCALE: 1 : 25 FORM: A3

6

5

4

3

2

1